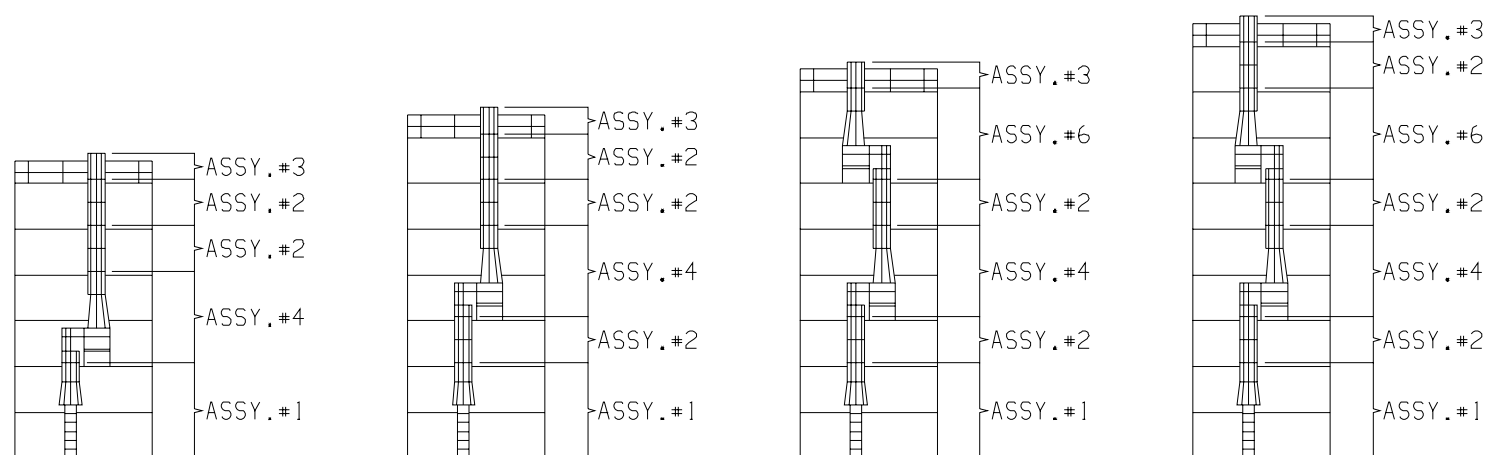
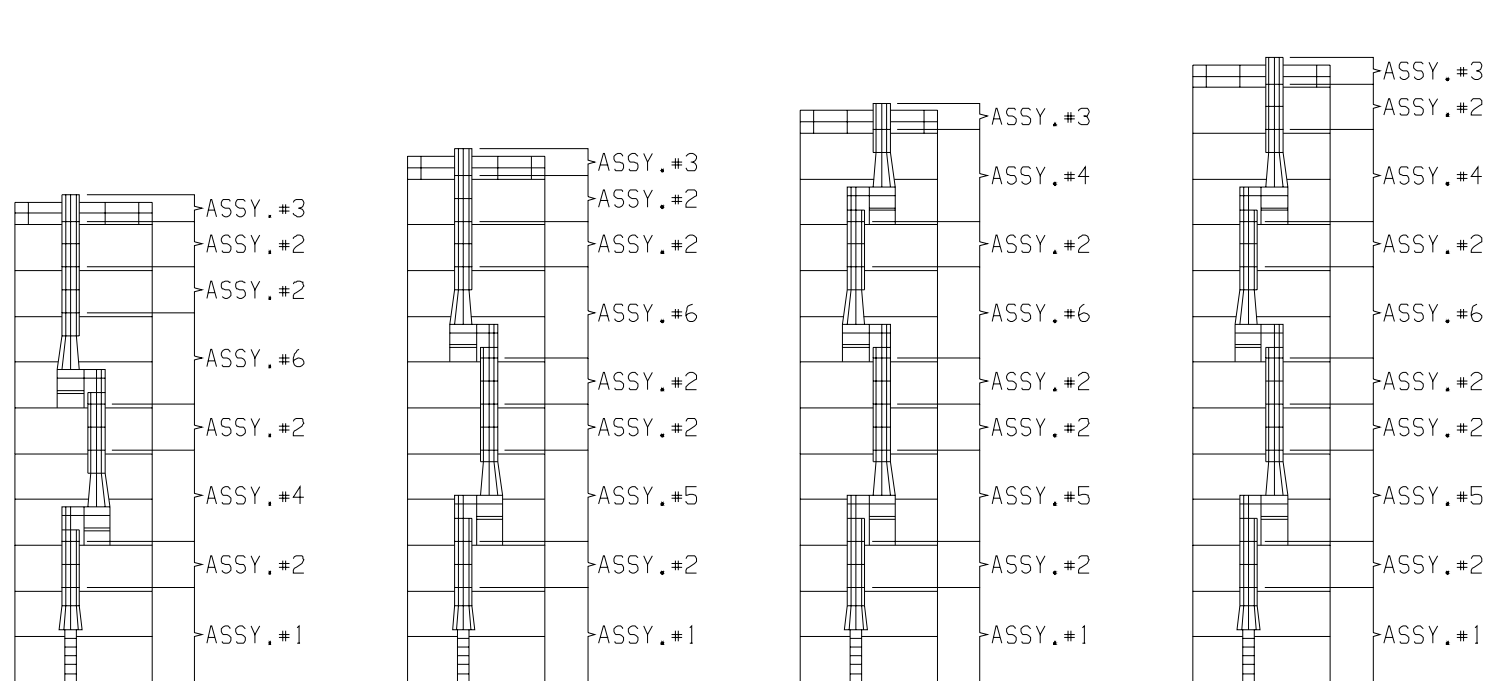


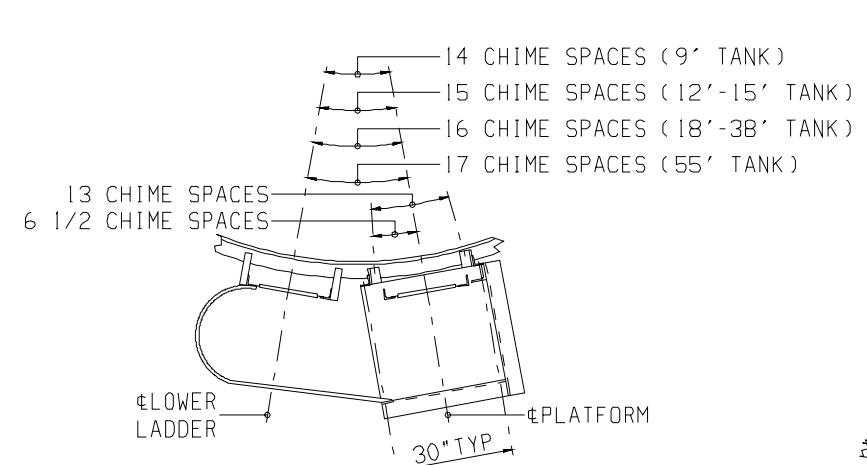
16' TANK 24' TANK 32' TANK 40' TANK



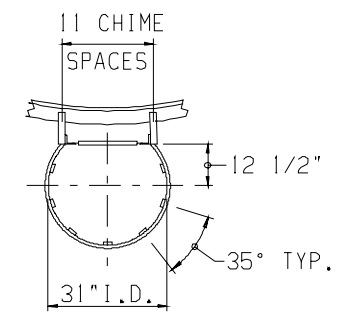
48' TANK 56' TANK 64' TANK 72' TANK



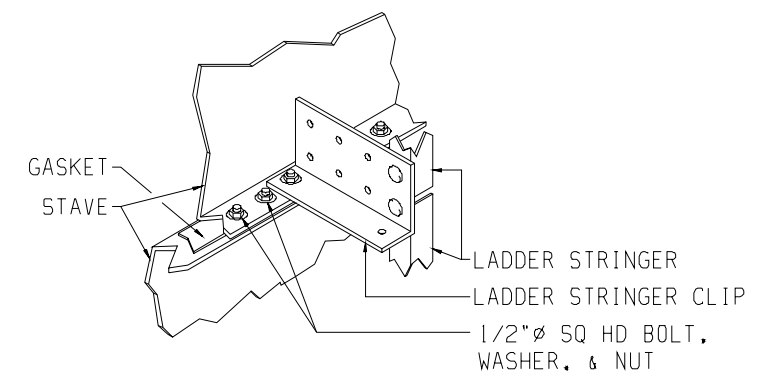
80' TANK 88' TANK 96' TANK 104' TANK 112' TANK



DETAIL 'A'
ALL CHIME SPACES SHOWN ABOVE ARE TYPICAL FOR ASSYS. #4, #5, & #6



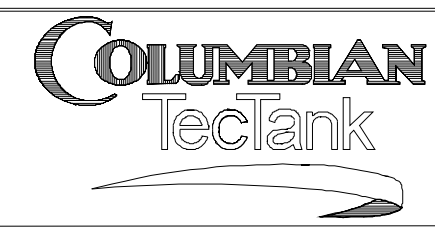
DETAIL 'B'
ALL CHIME SPACES SHOWN ABOVE ARE TYPICAL FOR ASSYS. #1, #2, & #3



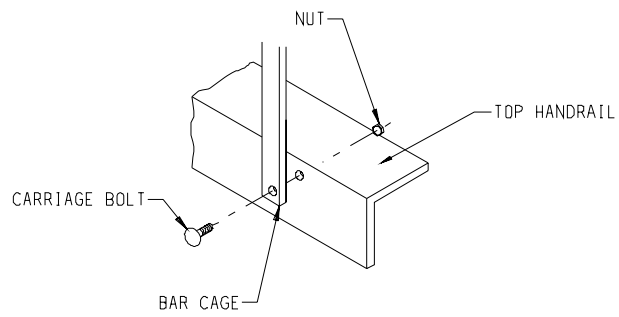
TYP. LADDER STRINGER CLIP CONNECTION TO STAVE

- NOTES:
- 1) FOR LOCATION OF LADDER, SEE PERIMETER HANDRAIL ERECTION DRAWING.
 - 2) ALL BOLTED CONNECTIONS ARE TO BE MADE SO THE BOLT HEAD IS TOWARD THE ACCESS SIDE OF THE LADDER, SAFETY CAGE, OR PLATFORM.
 - 3) USE 3/8" DIA. BOLTS FOR LADDER AND HOOP CONNECTIONS. USE 5/16" DIA. BOLTS FOR CAGE BAR TO HOOP CONNECTIONS. USE 1/2" DIA. BOLTS FOR LANDING PLATFORM.
 - 4) CHIME SPACES ARE DEFINED AS THE 2" SPACE BETWEEN THE BOLT HOLES LOCATED AT TANK CHIME. (SEE DETAILS 'A' AND 'B')
 - 5) REFER TO DWG. 50-83-0000-00, SHT. 2 OF 2, FOR INDIVIDUAL ASSEMBLIES.

CONFIDENTIAL THIS DRAWING IS THE PROPRIETARY PROPERTY OF COLUMBIAN TECTANK, AND SHALL NOT BE USED NOR REPRODUCED WITHOUT THE EXPRESS WRITTEN CONSENT OF THE CORPORATION.	D					SCALE	NTS
	C					DRN.	KJ 10-16-90
	B					CHK.	S.S. 1/9/91
	A REV.	REV	TITLE BLOCK	KRC BY	MB CHK.	DRS APP.	1/24 DATE



STANDARD LADDER ERECTION	
REL. NO.	B 50-83-0000-00

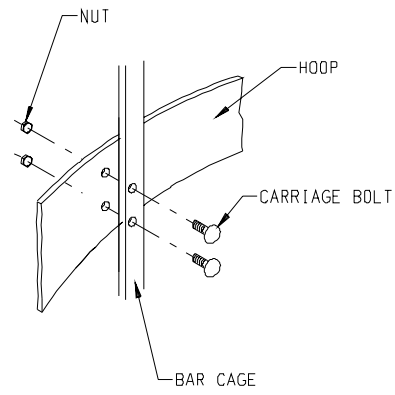


DETAIL 'A'

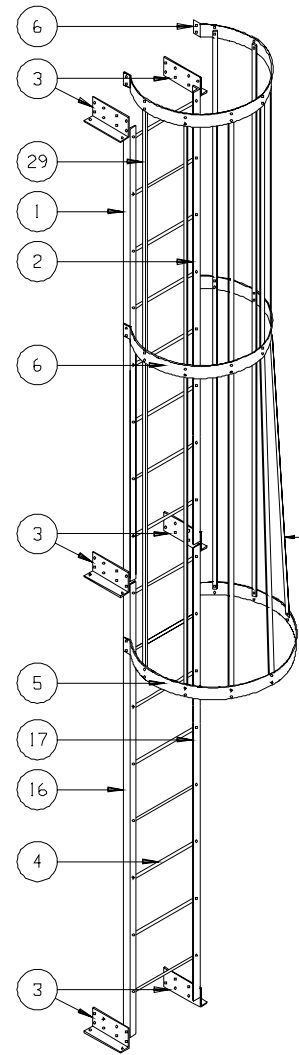
ITEM	D/S	PART No.	DESCRIPTION
1	B	50-80-0670-11	STRINGER(LH) 1/2"x1 1/2"x1/8"x8'-0 1/4"LG
2	B	50-80-0670-21	STRINGER(RH) 1/2"x1 1/2"x1/8"x8'-0 1/4"LG
3	A	50-80-0682-11	CLIP,LADDER STRINGER
4	B	50-80-0672-20	TUBING RUNG 1.114"D.D.x.057"W.x18 1/2"LG
5	B	50-88-0353-83	HOOP,FLARED BOTTM SPCL F/DOOR
6	B	50-80-0671-21	HOOP, 3"x3/16"(31"D.)
7	A	50-88-0800-11	BAR CAGE(MID SECT.) 8'-0"LG
8	A	50-88-0800-21	BAR CAGE(EXT.) 2'-8"LG
9	B	50-80-0671-31	HOOP, TOP EXT. 3"x3/16"(31"D.)
10	B	18-06-8021-11	ANGLE,POST 2 1/2"x2 1/2"x1/4" A-36 21 HL.
11	A	50-80-0676-11	ANGLE HAND EXT 1 1/2"x1 1/2"x1/8"x3'-2"LG
12	A	50-88-0800-31	CAGE BAR 3'-11 7/8"LG
13	A	50-88-0800-41	CAGE BAR 6'-8 1/8"LG
14	A	50-88-0800-51	CAGE BAR 3'-0 7/8"LG
15	A	50-88-0800-61	CAGE BAR 8'-8 1/8"LG

ITEM	D/S	PART No.	DESCRIPTION
16	B	50-80-0670-31	STRINGER(LH) 1/2"x1 1/2"x1/8"x8'-0 1/4"LG
17	B	50-80-0670-41	STRINGER(RH) 1/2"x1 1/2"x1/8"x8'-0 1/4"LG
18	B	50-80-0670-51	STRINGER(LH) 1/2"x1 1/2"x1/8"x10'-2 1/4"LG
19	B	50-80-0670-61	STRINGER(RH) 1/2"x1 1/2"x1/8"x10'-2 1/4"LG
20	A	50-88-0800-91	CAGE BAR 4'-3 1/2"LG
21	A	50-88-0801-11	CAGE BAR 5'-4 1/2"LG
22	B	50-80-0680-11	STRINGER(LH) 1/2"x1 1/2"x1/8"x4'-1 1/2"LG
23	B	50-80-0680-21	STRINGER(LH) 1/2"x1 1/2"x1/8"x4'-1 1/2"LG
24	B	50-80-0680-31	STRINGER(LH) 1/2"x1 1/2"x1/8"x9'-11 1/4"LG
25	B	50-80-0680-41	STRINGER(LH) 1/2"x1 1/2"x1/8"x9'-11 1/4"LG
26	B	50-80-0671-41	HOOP OPEN 3"x3/16"
27	A	50-80-0675-11	CLIP,LADDER ANCHOR 1-HL
28	A	50-88-0800-71	CAGE BAR 2'-11 1/2"LG
29	A	50-88-0800-81	CAGE BAR 9'-4 3/8"LG
30	B	18-07-3015-11	PANEL WALKWAY 30"WIDEx30"LG

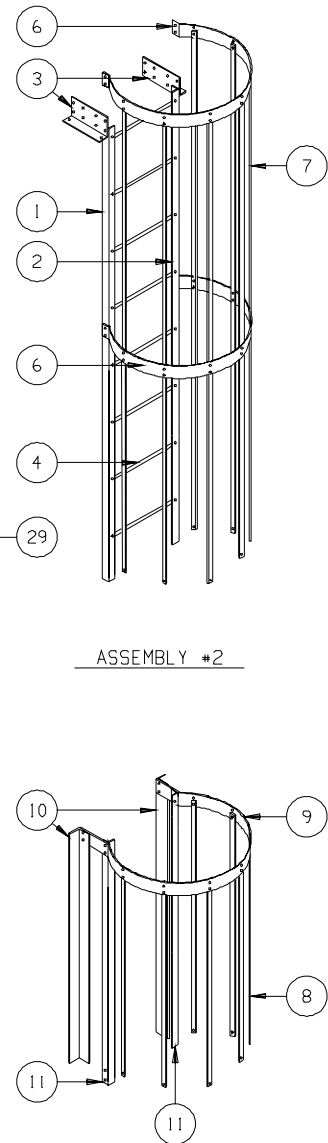
ITEM	D/S	PART No.	DESCRIPTION
31	B	50-80-0681-11	VERT POST SUPT 2 1/2"x2 1/2"x1/4"x8'-4 1/4"LG
32	A	50-80-0678-11	CLIP,LANDING PLATFORM POST
33	B	50-80-0679-11	VERT POST SUPT 2 1/2"x2 1/2"x1/4"x9'-6 1/8"LG
34	B	50-88-0353-84	LOCKING HOOP DOOR 12GA
35	B	50-88-0600-99	MIDRAIL,ANGLE 2"x2"x1/8"x30"LG
36	B	18-06-8027-11	VERTICAL POST 2 1/2"x2 1/2"x1/4" 27HL
37	B	18-02-1017-11	TOEBOARD 4"x12GA,17HL
38	B	18-02-1015-11	TOEBOARD 4"x12GA,15HL
39	B	18-06-3015-11	PANEL STIFFENER 1 1/2"x1 1/2"x1/8"15HL
40	B	18-06-1020-11	ANGLE 2"x2"x1/8"20HL
41	A	18-01-0134-11	BRACE KNEE 12GA
42	B	18-06-1023-11	DIAGONAL ANGLE 2"x2"x1/8"23HL
43	B	18-06-8017-11	RAILING,ANGLE,2 1/2"x2 1/2"x1/4"17HL
44	B	18-06-8015-11	RAILING,ANGLE,2 1/2"x2 1/2"x1/4"15HL
45	A	50-88-0353-85	LATCH PLATE 3/16" X 2" X 4" 55/304
46	-	51-56-0154-00	HINGE F/2X5 DOOR #0175-1



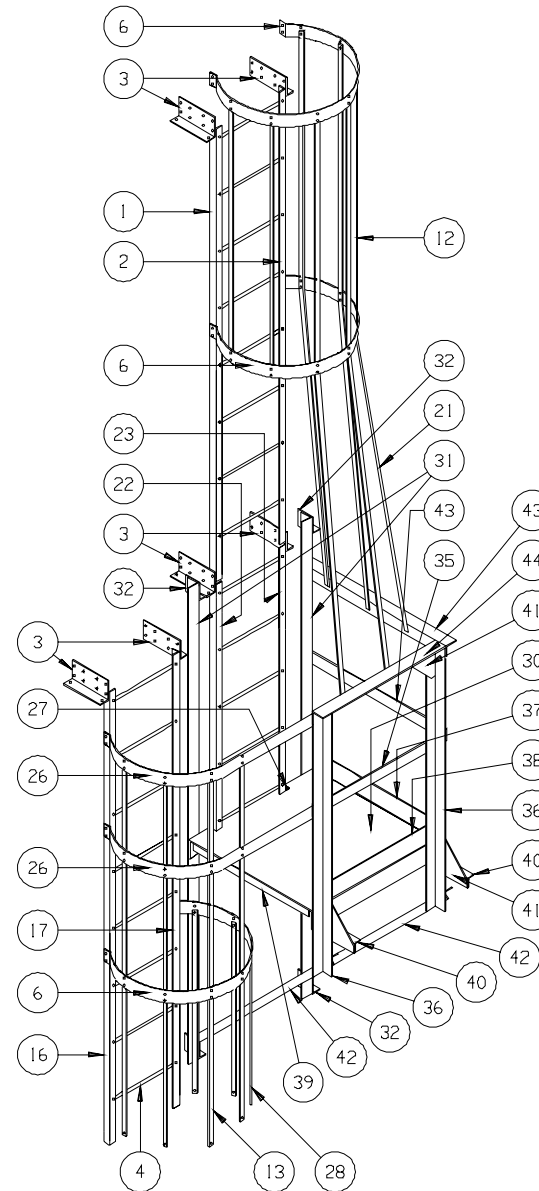
DETAIL 'B'



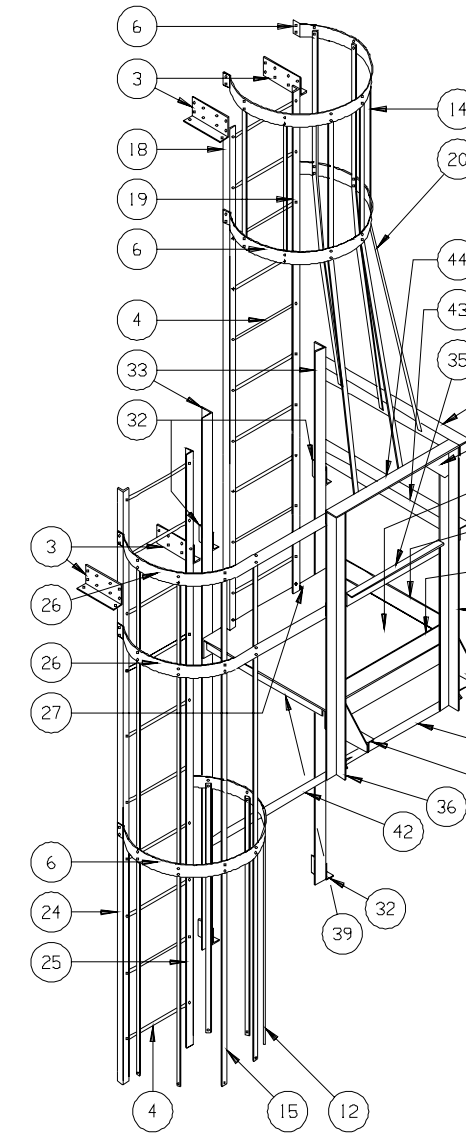
ASSEMBLY #1



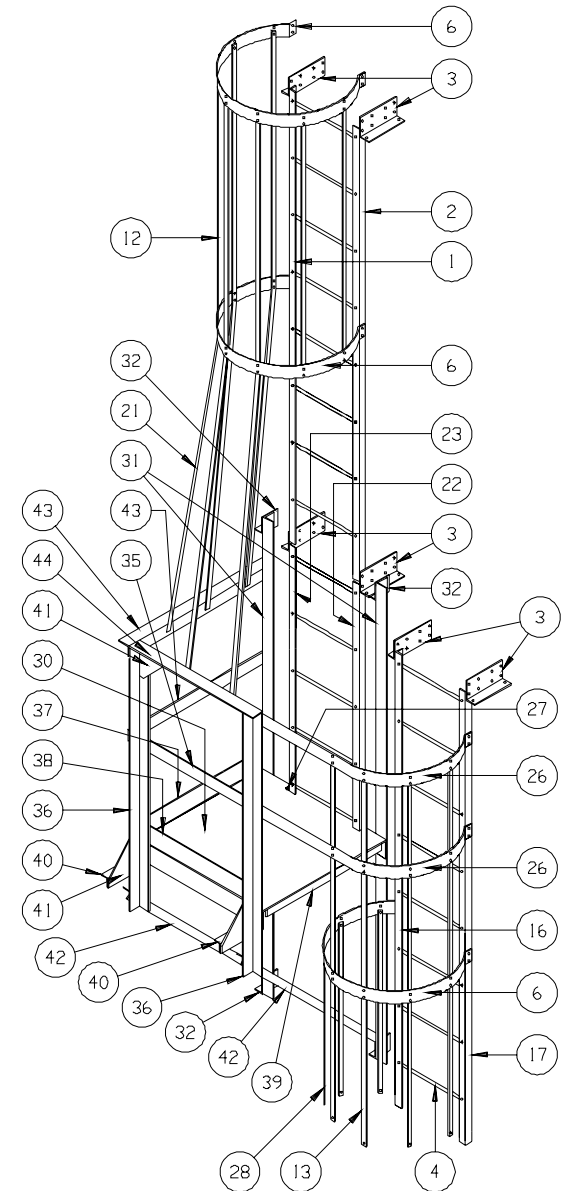
ASSEMBLY #2



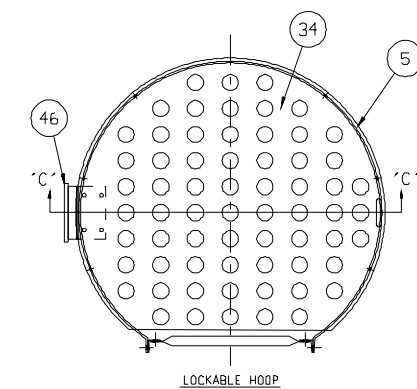
ASSEMBLY #3



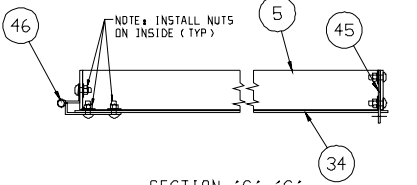
ASSEMBLY #4



ASSEMBLY #5



SECTION 'C'-'C'



<p>CONFIDENTIAL</p> <p>THIS DRAWING IS THE PROPRIETARY PROPERTY OF COLUMBIAN TECTANK, AND SHALL NOT BE USED NOR REPRODUCED WITHOUT THE EXPRESS WRITTEN CONSENT OF THE CORPORATION.</p>	J					SCALE	NTS		<p>STANDARD LADDER ERECTION</p> <p>REL. NO. B 50-83-0000-00</p>
	I					DRN.	RB 3-20-85		
	H					CHK.	SS 3-22-85		
	G	ADDED LOCKABLE HOOP	KRC	MB	DRS	1/14	APP.		
REV.		BY	CHK.	APP.	DATE				