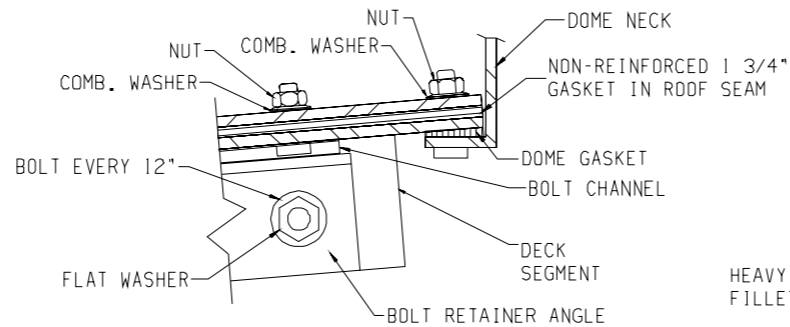


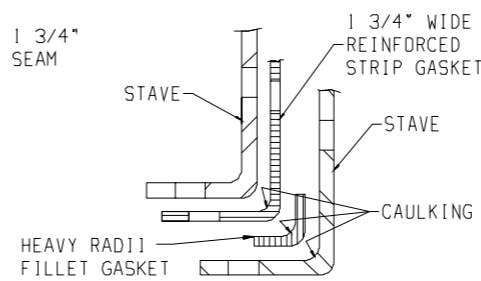
SECTION 'A'-'A'
TYP. 26' DIA. & LARGER

NOTE:
USE CHIME LAP GASKETS AT DECK SEAM LAPS AT CENTER DOME. APPLY CAULKING AS IN SECTION 'L'-'L'.
DOME GASKETS ARE SUPPLIED IN 1 PC. OR MULTIPLE PC. SETS. LAP EACH END HOLE OF EACH PC TO FORM A CIRCLE. CAULK BOTH ENDS TO ASSURE A PROPER SEAL.

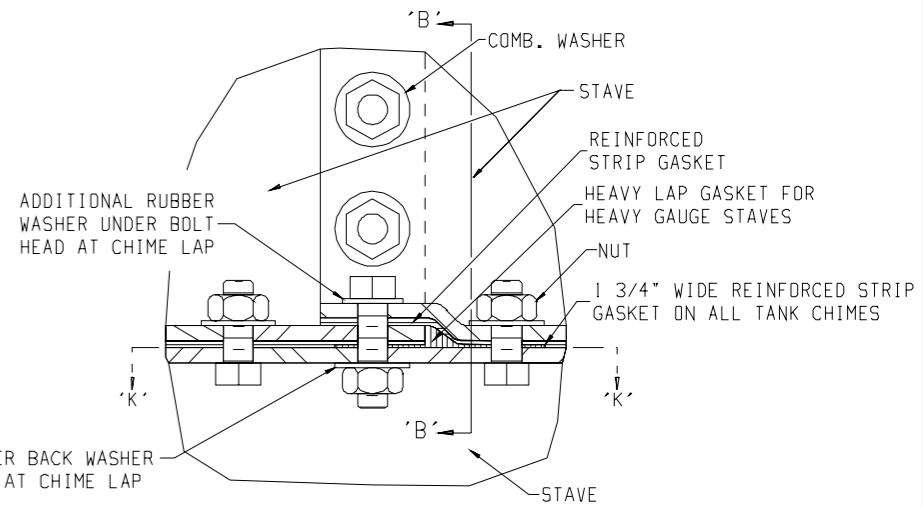


SECTION 'A'-'A'
TYP. 9' THRU 21' DIA. TANKS
W/ FLANGED DECK SHEETS

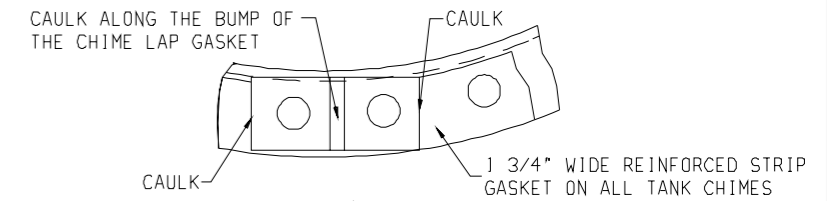
NOTE: ON 18" Ø TANKS PUT BOLT CHANNEL AT OUTER PORTION OF TANK. ONE HL IN VERT. SEAM AT DOME WILL NOT HAVE BOLT CHANNEL.



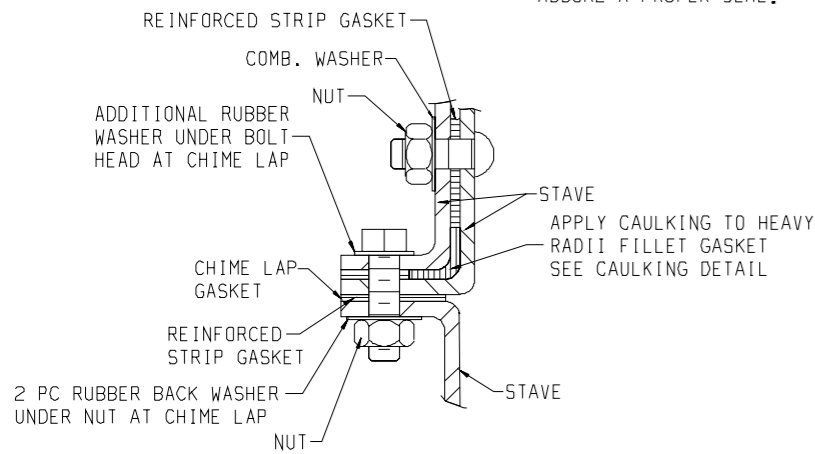
CAULKING DETAIL
TYP. ALL STAVE CORNERS



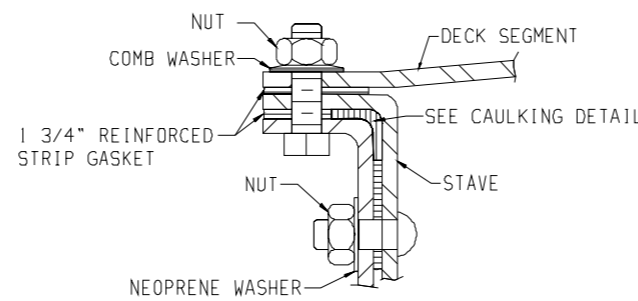
DETAIL 'H'



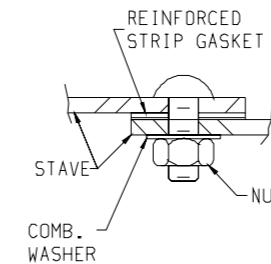
SECTION 'K'-'K'



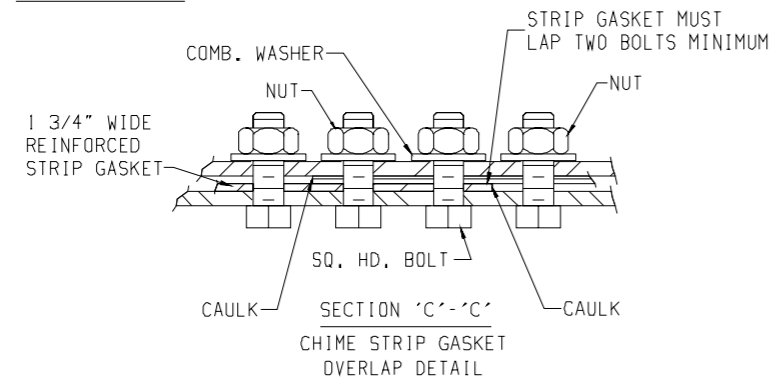
SECTION 'B'-'B'



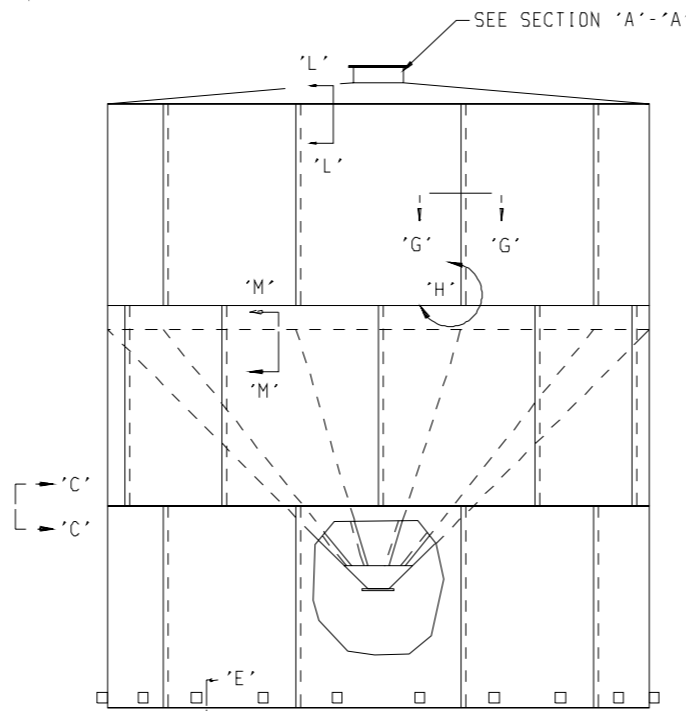
SECTION 'L'-'L'



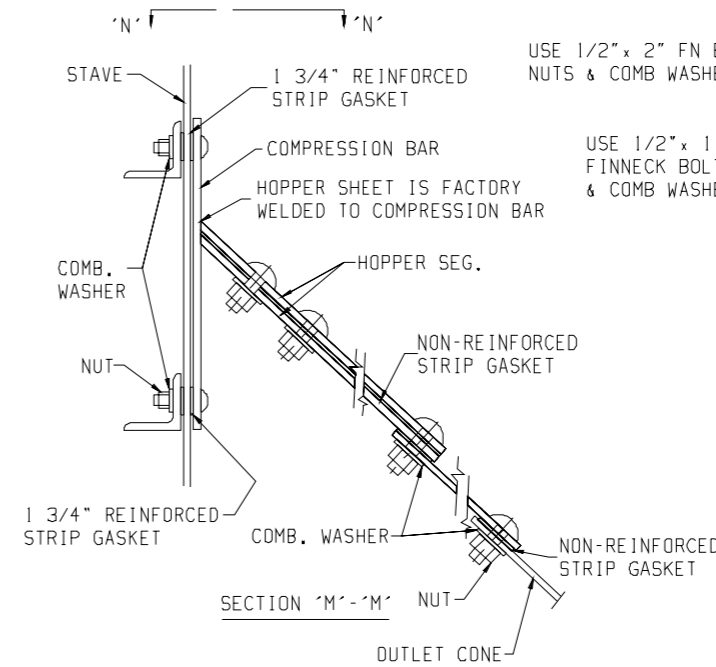
SECTION 'G'-'G'



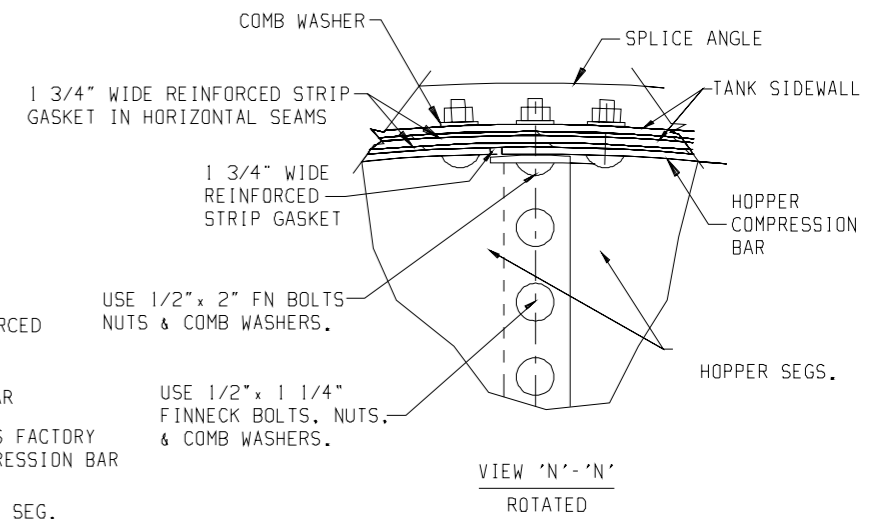
SECTION 'C'-'C'
CHIME STRIP GASKET OVERLAP DETAIL



TANK ELEVATION



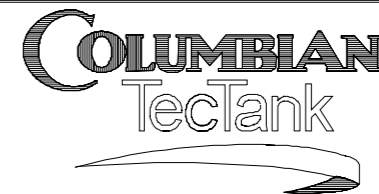
SECTION 'M'-'M'
OUTLET CONE



VIEW 'N'-'N'
ROTATED

CAULKING NOTE:
CAULK BETWEEN COMPRESSION BAR & STAVE. CAULK BETWEEN ALL HOPPER SEAMS. AFTER TIGHTENING REMOVE ALL EXCESS CAULKING FROM INT. OF HOPPER.

CONFIDENTIAL THIS DRAWING IS THE PROPRIETARY PROPERTY OF COLUMBIAN TECTANK, AND SHALL NOT BE USED NOR REPRODUCED WITHOUT THE EXPRESS WRITTEN CONSENT OF THE CORPORATION.	D						SCALE NTS
	C						DRN. TOM 21JAN99
	B	ADD ANC. BOLT DETAIL	BH	TM	DRS	9/7/99	CHK. TIM 21JAN99
	A	ADDED REV. BLOCK	BH	ML	DRS	2/26/99	APP. DRS 2/25/99
	REV.		BY	CHK.	APP.	DATE	

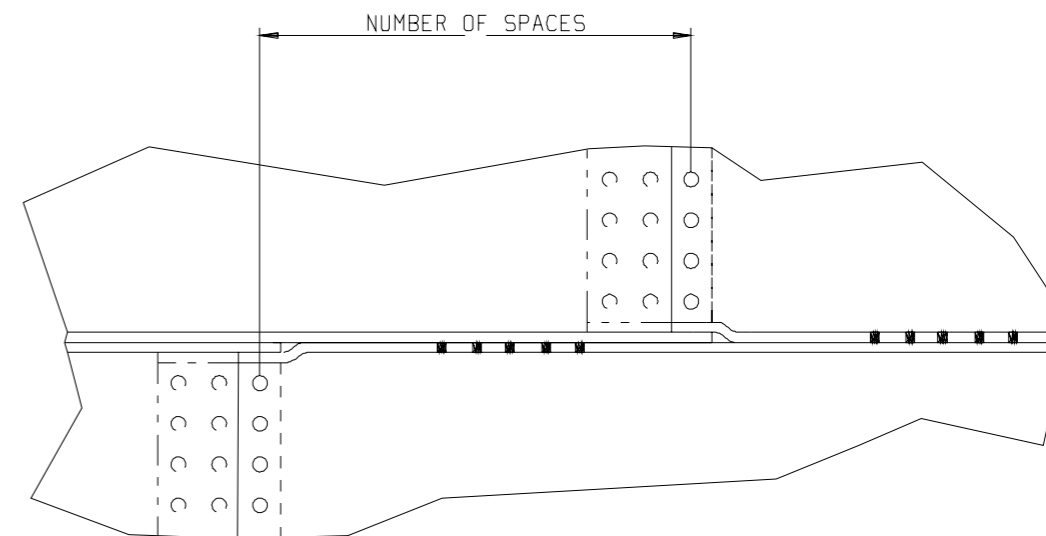


STANDARD DETAILS FOR FINE POWDER TANKS	
REL. NO.	B 50-00-0000-20

BOLT SCHEDULE

	SQ. HEAD BOLTS	FINNECK BOLTS							
	1/2" X 1/4" LG.	1/2" X 1/2" LG.	1/2" X 3/4" LG.	1/2" X 2" LG.	1/2" X 1/4" LG.	1/2" X 1/2" LG.	1/2" X 2" LG.	1/2" COMB. WASHER	1/2" FLAT WASHER
BTM STAVE RING LEVELING BOLTS (DOUBLE NUT & DOUBLE WASHER)									
ANCHOR BOLT SADDLE TO STAVE									
VERTICAL SEAM 14GA THRU 9GA									
VERTICAL SEAM 8GA THRU 1/4PL									
VERTICAL SEAM 5/16PL									
CHIME 14GA THRU 9GA	X								
CHIME 8GA THRU 1/4PL	X								
CHIME 5/16PL		X							
CHIME AT LAP 14GA THRU 9GA	X								
CHIME AT LAP 8GA THRU 1/4PL	X								
CHIME AT LAP 5/16PL		X							
DECK SUPPORT CHANNEL TO CENTER COL.	X								
DECK SUPPORT CHANNEL TO SUPPORT CLIP	X								
DOVE TO CENTER COLUMN ANGLES									
SUPPORT CLIP TO DECK CHIME	X								
DECK BOLT RETAINER TO DECK FLANGE	X								
CENTER DOVE TO DECK	X								
CENTER DOVE @ RADIAL SEAM	X								
DECK RADIAL SEAM 14GA THRU 9GA	X								
DECK RADIAL SEAM 8GA THRU 1/4PL	X								
DECK AT LAP 14GA THRU 9GA	X								
DECK AT LAP 8GA THRU 1/4PL	X								
MANWAY FLANGE TO DECK	X								
HOPPER COMPRESSION BAR TO STAVE 14GA THRU 9GA									
HOPPER COMPRESSION BAR TO STAVE 1/4PL THRU 8GA									
HOPPER COMPRESSION BAR TO STAVE @ SPLICE PLATE AND ANGLE									
HOPPER COMPRESSION BAR TO STAVE @ SPLICE PLATE									
HOPPER COMPRESSION TO STAVE @ VERTICAL SEAM									
HOPPER SEAM 14GA THRU 9GA									
HOPPER SEAM 8GA, THRU 1/4" PL									
HOPPER SEAM 14GA THRU 9GA @ LAP									
HOPPER SEAM 8GA, THRU 1/4" PL @ LAP									
OUTLET CONE TO HOPPER @ SEAM ALL GA.'S									
OUTLET CONE TO HOPPER BETWEEN SEAMS ALL GA.'S									
STIFFENER ANGLE TO STAVE									
TOP CHIME TO DECK--EXPLOSION RELIEF									

SPC 'L 3/8" Ø X 1 1/4" HARDWARE

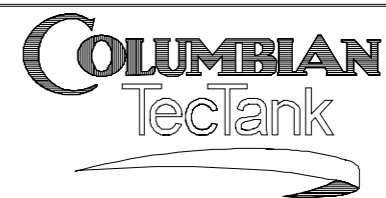


TYPICAL CHIME SPACE DETAIL
TYPICAL FOR 1, 2 & 3 ROWS VERTICAL

FOR SPECIAL GRADE MATERIAL
CHIMES TOP & BOTTOM WILL BE
NOTCHED AS FOLLOWED.
GRADE 50 - 1 NOTCH
GRADE 55 - 2 NOTCHES
GRADE 60 - 3 NOTCHES
GRADE 65 - 4 NOTCHES
GRADE 70 - 5 NOTCHES

* NOTE:
HEAVY GAUGE CONTROLS THE
LENGTH OF BOLT WHEN
CONNECTING HEAVY TO
LIGHT GAUGE.

CONFIDENTIAL	D					SCALE	NTS
THIS DRAWING IS THE PROPRIETARY PROPERTY OF COLUMBIAN TECTANK AND SHALL NOT BE USED NOR REPRODUCED WITHOUT THE EXPRESS WRITTEN CONSENT OF THE CORPORATION.	C					DRN.	TOM 21JAN99
	B					CHK.	TIM 21JAN99
	A	CHANGED WASHER FOR SADDLE	KRC	SS	DRS	11/5/99	APP.
	REV.		BY	CHK.	APP.	DATE	DRS 1/22/99



SHEET 2 OF 2	
STANDARD DETAILS FOR FINE POWDER TANKS	
REL. NO.	B 50-00-0000-20